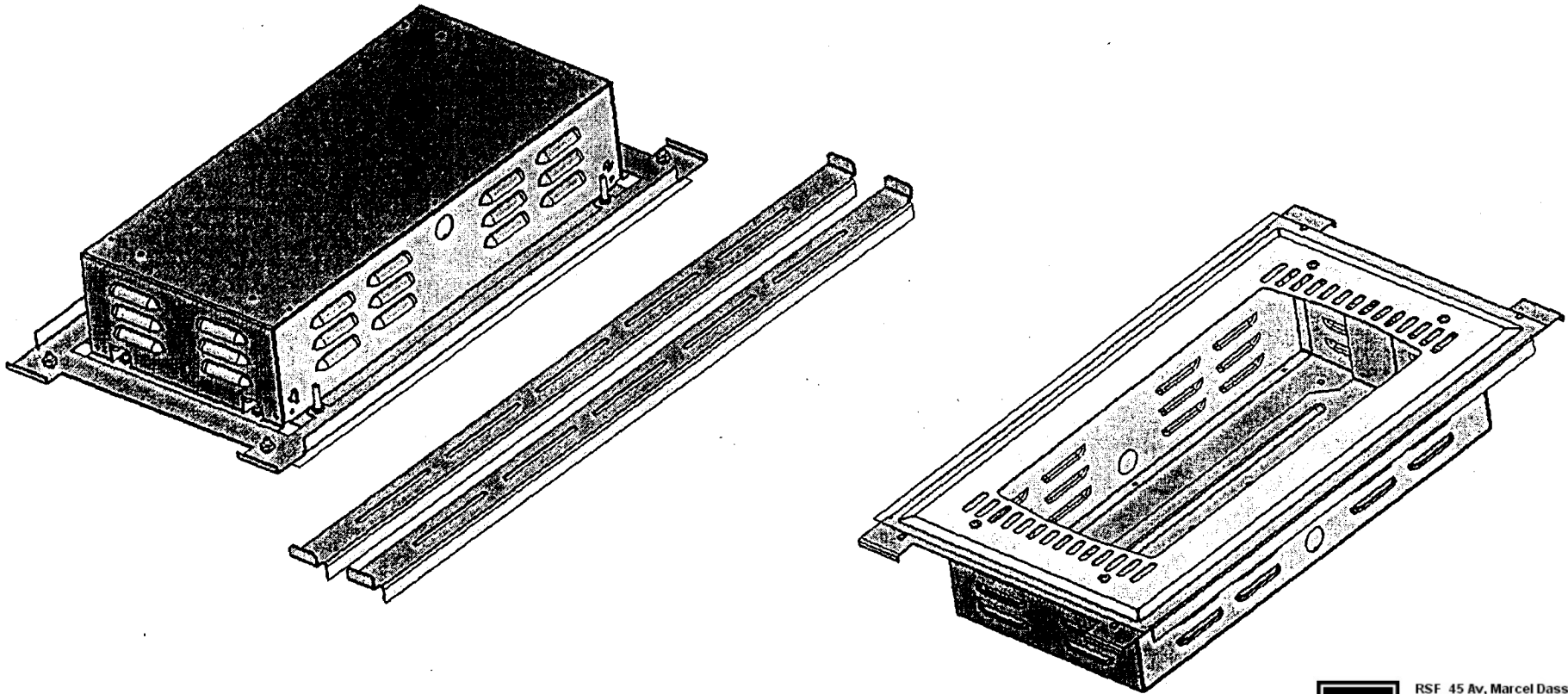


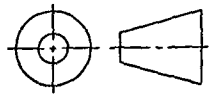
NOTES: UNLESS OTHERWISE SPECIFIED.

1. INTERPRET DRAWING PER ASME Y14.5M-1994.

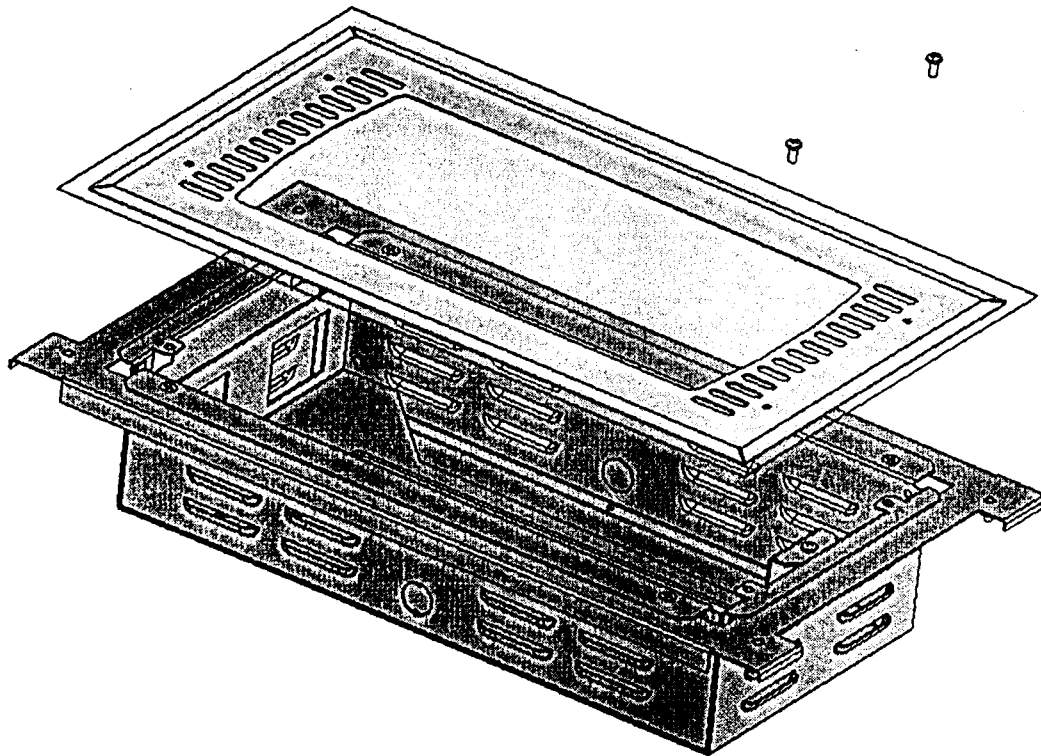
REVISIONS				
REV.	DESCRIPTION	DRAWN BY	DATE	ECO NO.
A	PRODUCTION RELEASE			



RSF 45 Av, Marcel Dassault
 31500 TOULOUSE France
 Tel : 05 61 20 79 09
 Fax : 05 61 80 00 94
www.rsf-europe.com

THIRD ANGLE PROJECTION 	UNLESS OTHERWISE SPECIFIED: DIMENSIONS ARE IN: INCHES	DRG P. ENGINEER	TITLE: INSTALLATION INSTRUCTIONS, CEILING TILE, SINGLE EMITTER	
	TOLERANCES ARE: .XX ± .02 .XXX ± .005 ANGULAR ± 1/2° DO NOT SCALE DRAWING	PROJECT	SIZE B	DRAWING NUMBER 103034-01
		SCALE: 1:4	WEIGHT:	SHEET: 1 OF 9

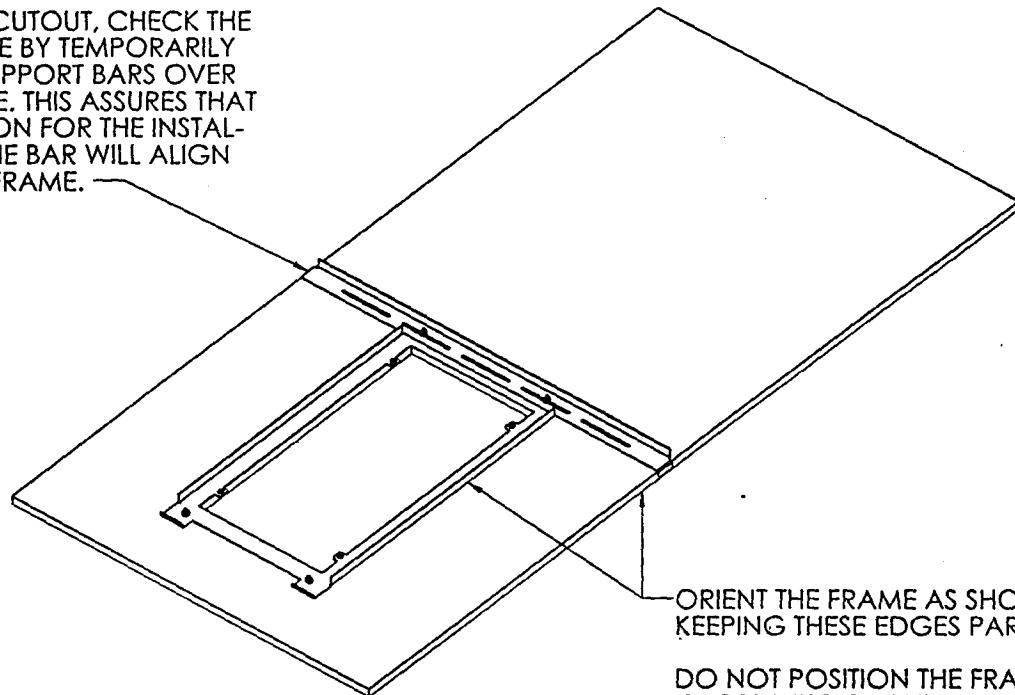
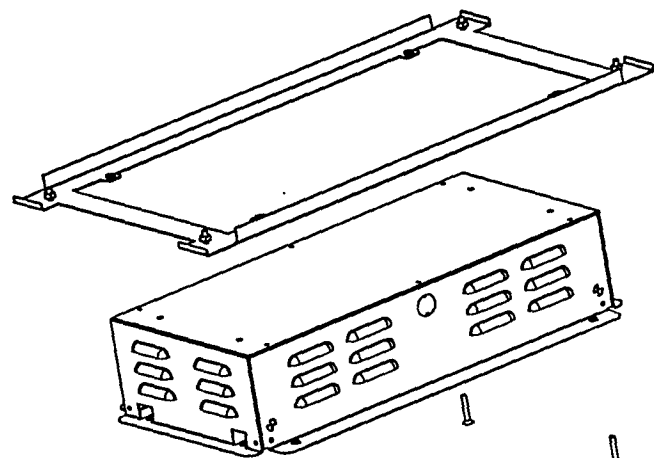
REMOVE THE FOUR SCREWS AND THE BEZEL
FROM THE CEILING SHIELD.



RSF 45 Av. Marcel Dassault
31500 TOULOUSE France
Tel : 05 61 20 79 09
Fax : 05 61 80 00 94
www.rsf-europe.com

TITLE: INSTALLATION INSTRUCTIONS, CEILING TILE, SINGLE EMITTER		
SIZE	DWG. NO.	REV
B	103034-01	A
SCALE: 1:4	WEIGHT:	SHEET: 2 OF 9

PRIOR TO TRACING THE CUTOUT, CHECK THE LOCATION OF THE FRAME BY TEMPORARILY PLACING ONE OF THE SUPPORT BARS OVER THE STUDS ON THE FRAME. THIS ASSURES THAT FOR THE CHOSEN POSITION FOR THE INSTALLATION, THE SLOTS ON THE BAR WILL ALIGN WITH THE STUDS ON THE FRAME.



ORIENT THE FRAME AS SHOWN KEEPING THESE EDGES PARALLEL

DO NOT POSITION THE FRAME CROSS-WISE ON THE PANEL.

REMOVE THE FOUR SCREWS AND THE REAR MOUNTING FRAME FROM THE CEILING SHIELD. PLACE THE FRAME ONTO THE BACK OF THE CEILING TILE IN THE DESIRED LOCATION. REFER TO THE NOTES FOR PROPER PLACEMENT

TRACE THE INSIDE OF THE FRAME ONTO THE TILE. IGNORE THE FOUR TABS WITH THE THREADED INSERTS, DO NOT INCLUDE THEM IN THE SHAPE OF THE CUTOUT. THE RESULTING OUTLINE SHOULD BE RECTANGULAR, APPROXIMATELY

8 1/4" WIDE X 15 3/4" LONG

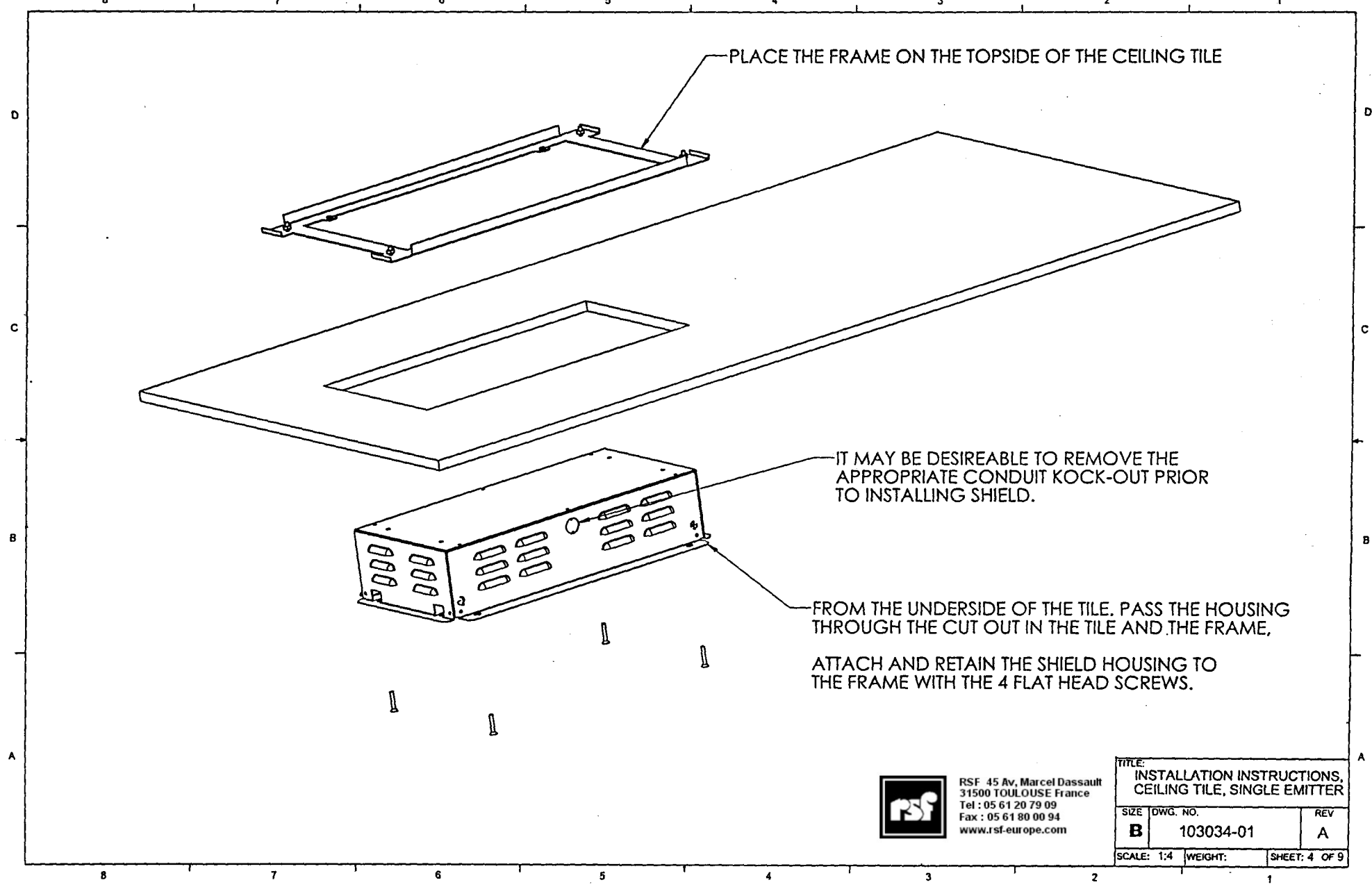
21 cm X 40 cm

USING APPROPRIATE CUTTING TOOL, CUT AND REMOVE MATERIAL PREVIOUSLY MARKED



RSF 45 Av. Marcel Dassault
31500 TOULOUSE France
Tel : 05 61 20 79 09
Fax : 05 61 80 00 94
www.rsf-europe.com

TITLE: INSTALLATION INSTRUCTIONS, CEILING TILE, SINGLE EMITTER		
SIZE B	DWG. NO. 103034-01	REV A
SCALE: 1:4	WEIGHT:	SHEET: 3 OF 9



PLACE THE FRAME ON THE TOPSIDE OF THE CEILING TILE

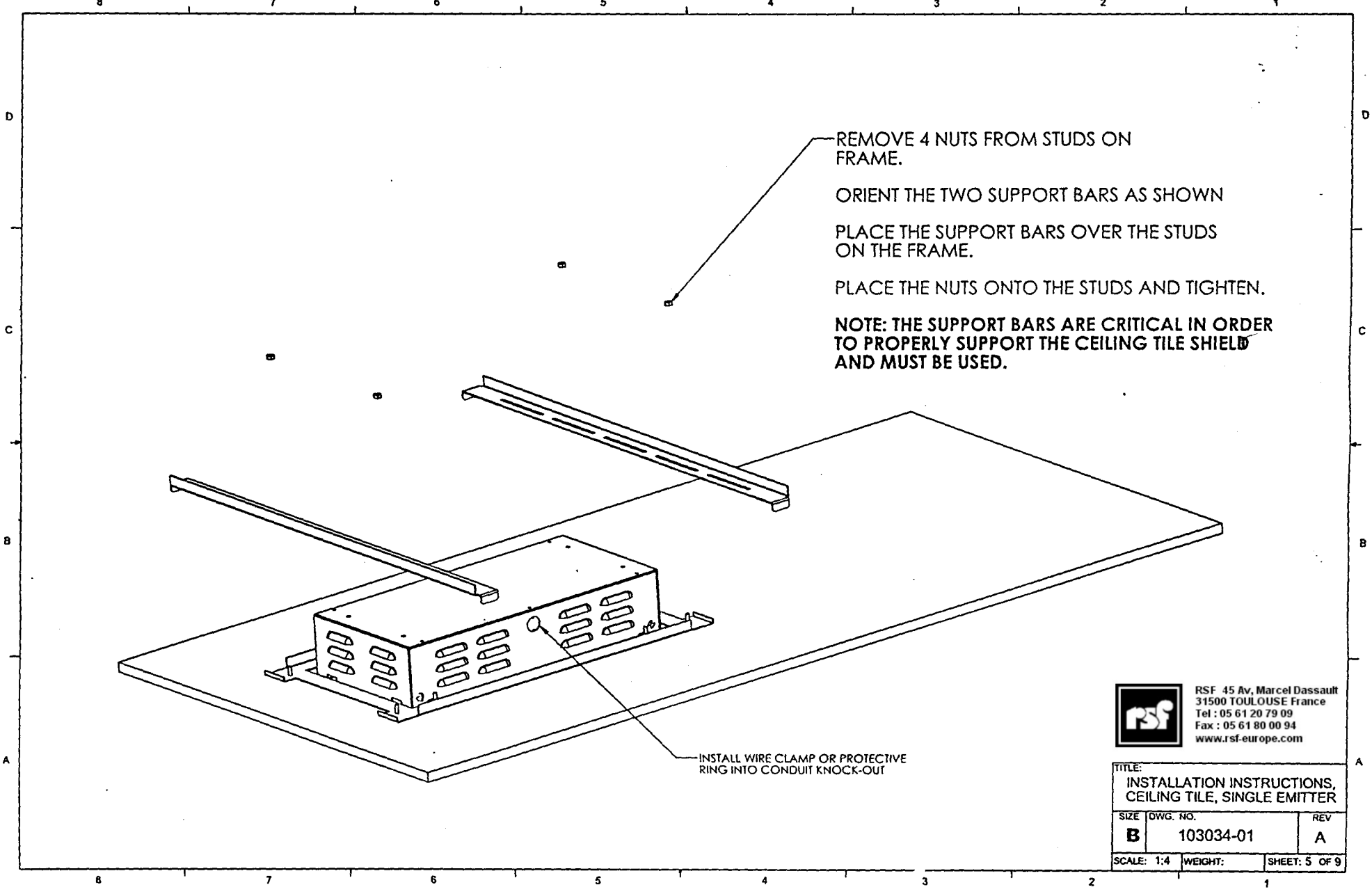
IT MAY BE DESIREABLE TO REMOVE THE APPROPRIATE CONDUIT KOCK-OUT PRIOR TO INSTALLING SHIELD.

FROM THE UNDERSIDE OF THE TILE, PASS THE HOUSING THROUGH THE CUT OUT IN THE TILE AND THE FRAME, ATTACH AND RETAIN THE SHIELD HOUSING TO THE FRAME WITH THE 4 FLAT HEAD SCREWS.



RSF 45 Av. Marcel Dassault
31500 TOULOUSE France
Tel : 05 61 20 79 09
Fax : 05 61 80 00 94
www.rsf-europe.com

TITLE: INSTALLATION INSTRUCTIONS, CEILING TILE, SINGLE EMITTER		
SIZE B	DWG. NO. 103034-01	REV A
SCALE: 1:4	WEIGHT:	SHEET: 4 OF 9



REMOVE 4 NUTS FROM STUDS ON FRAME.

ORIENT THE TWO SUPPORT BARS AS SHOWN

PLACE THE SUPPORT BARS OVER THE STUDS ON THE FRAME.

PLACE THE NUTS ONTO THE STUDS AND TIGHTEN.

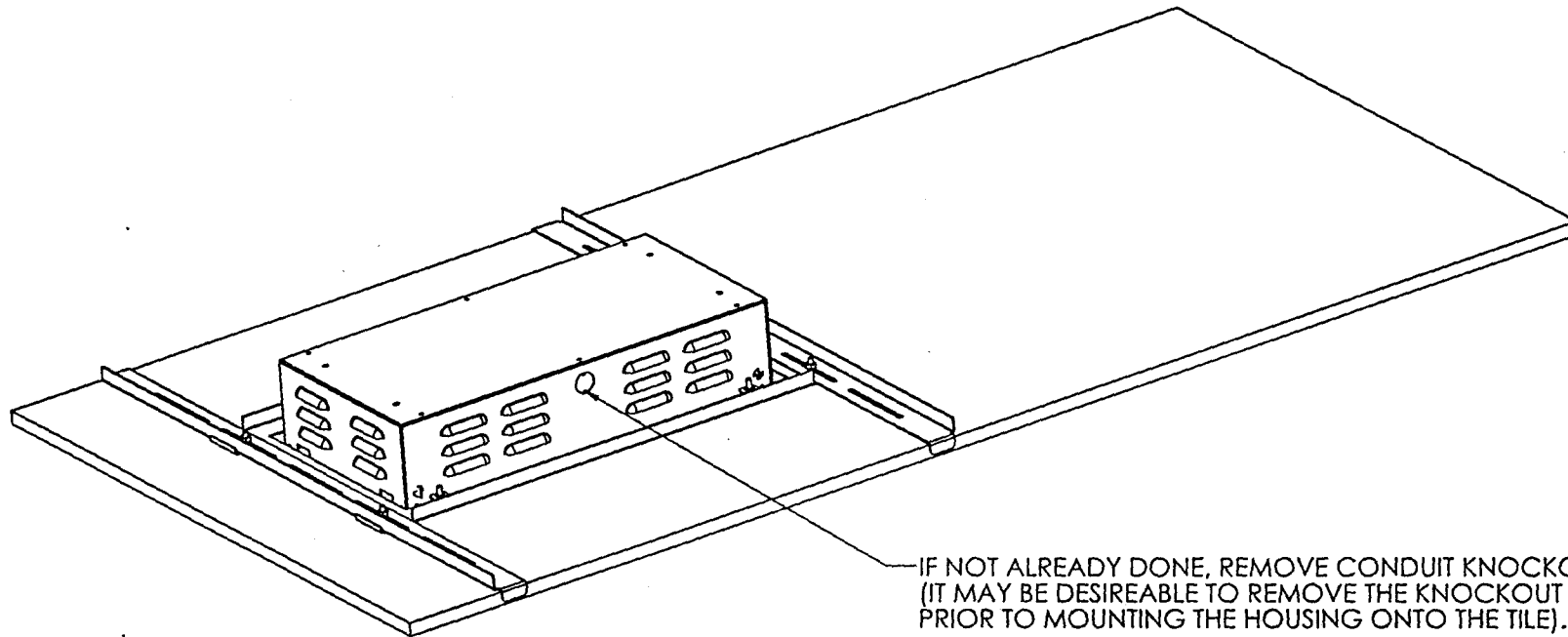
NOTE: THE SUPPORT BARS ARE CRITICAL IN ORDER TO PROPERLY SUPPORT THE CEILING TILE SHIELD AND MUST BE USED.

INSTALL WIRE CLAMP OR PROTECTIVE RING INTO CONDUIT KNOCK-OUT



RSF 45 Av. Marcel Dassault
31500 TOULOUSE France
Tel : 05 61 20 79 09
Fax : 05 61 80 00 94
www.rsf-europe.com

TITLE: INSTALLATION INSTRUCTIONS, CEILING TILE, SINGLE EMITTER		
SIZE B	DWG. NO. 103034-01	REV A
SCALE: 1:4	WEIGHT:	SHEET: 5 OF 9



IF NOT ALREADY DONE, REMOVE CONDUIT KNOCKOUT.
(IT MAY BE DESIREABLE TO REMOVE THE KNOCKOUT
PRIOR TO MOUNTING THE HOUSING ONTO THE TILE).

TO PREVENT WIRE CHAFING, INSTALL EITHER A WIRE CLAMP
OR AN PROTECTIVE RING INTO THE HOLE.

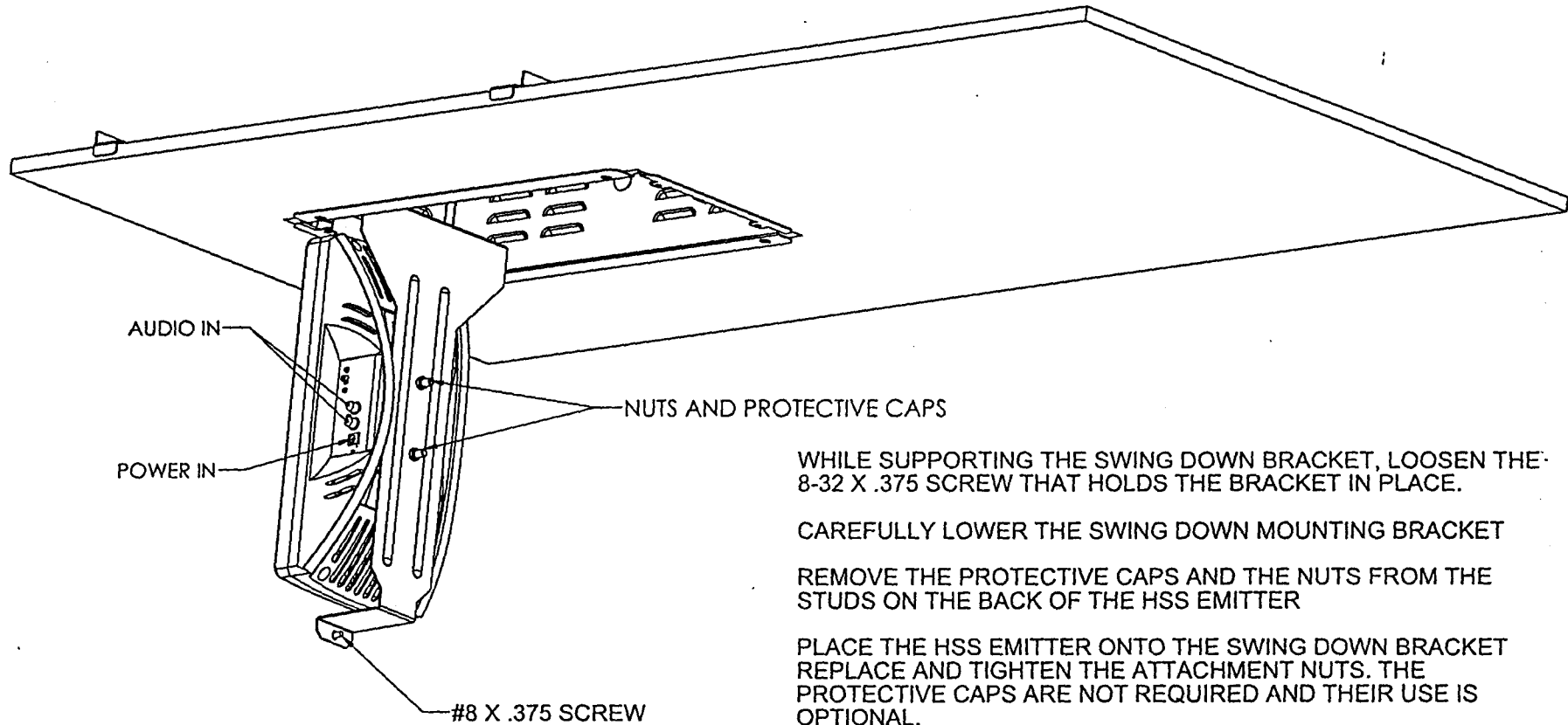
PASS THE AUDIO AND POWER CABLES THROUGH THE WIRE
CLAMP/RING. IN ORDER TO FACILITATE PLUGGING THE
WIRES INTO THE HSS EMITTER, LEAVE APPROXIMATELY 10" OF
SLACK IN BOTH CABLES INSIDE THE HOUSING PRIOR TO
CLAMPING.

REPLACE THE CEILING TILE INTO THE SUSPENDED CEILING
SUPPORT GRID



RSF 45 Av. Marcel Dassault
31500 TOULOUSE France
Tel : 05 61 20 79 09
Fax : 05 61 80 00 94
www.rsf-europe.com

TITLE: INSTALLATION INSTRUCTIONS, CEILING TILE, SINGLE EMITTER		
SIZE	DWG. NO.	REV
B	103034-01	A
SCALE: 1:4	WEIGHT:	SHEET: 6 OF 9



WHILE SUPPORTING THE SWING DOWN BRACKET, LOOSEN THE 8-32 X .375 SCREW THAT HOLDS THE BRACKET IN PLACE.

CAREFULLY LOWER THE SWING DOWN MOUNTING BRACKET

REMOVE THE PROTECTIVE CAPS AND THE NUTS FROM THE STUDS ON THE BACK OF THE HSS EMITTER

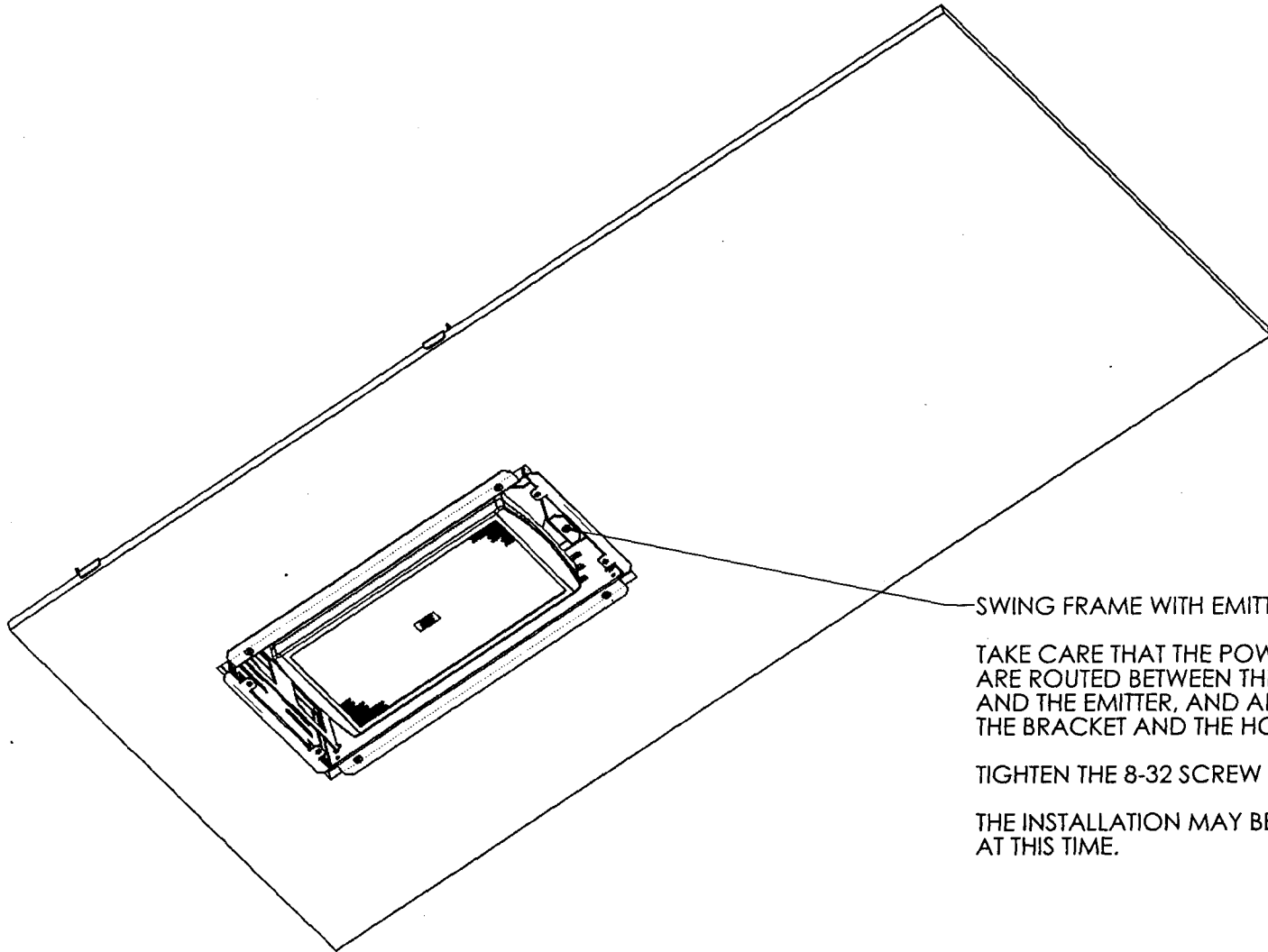
PLACE THE HSS EMITTER ONTO THE SWING DOWN BRACKET
 REPLACE AND TIGHTEN THE ATTACHMENT NUTS. THE PROTECTIVE CAPS ARE NOT REQUIRED AND THEIR USE IS OPTIONAL.

PLUG IN THE AUDIO AND POWER CABLES.



RSF 45 Av. Marcel Dassault
 31500 TOULOUSE France
 Tel : 05 61 20 79 09
 Fax : 05 61 80 00 94
www.rsf-europe.com

TITLE: INSTALLATION INSTRUCTIONS, CEILING TILE, SINGLE EMITTER		
SIZE B	DWG. NO. 103034-01	REV A
SCALE: 1:4	WEIGHT:	SHEET: 7 OF 9



SWING FRAME WITH EMITTER UP INTO SHIELD HOUSING.

TAKE CARE THAT THE POWER AND AUDIO CABLES ARE ROUTED BETWEEN THE INNER SIDE OF THE HOUSING AND THE EMITTER, AND ARE NOT PINCHED BETWEEN THE BRACKET AND THE HOUSING.

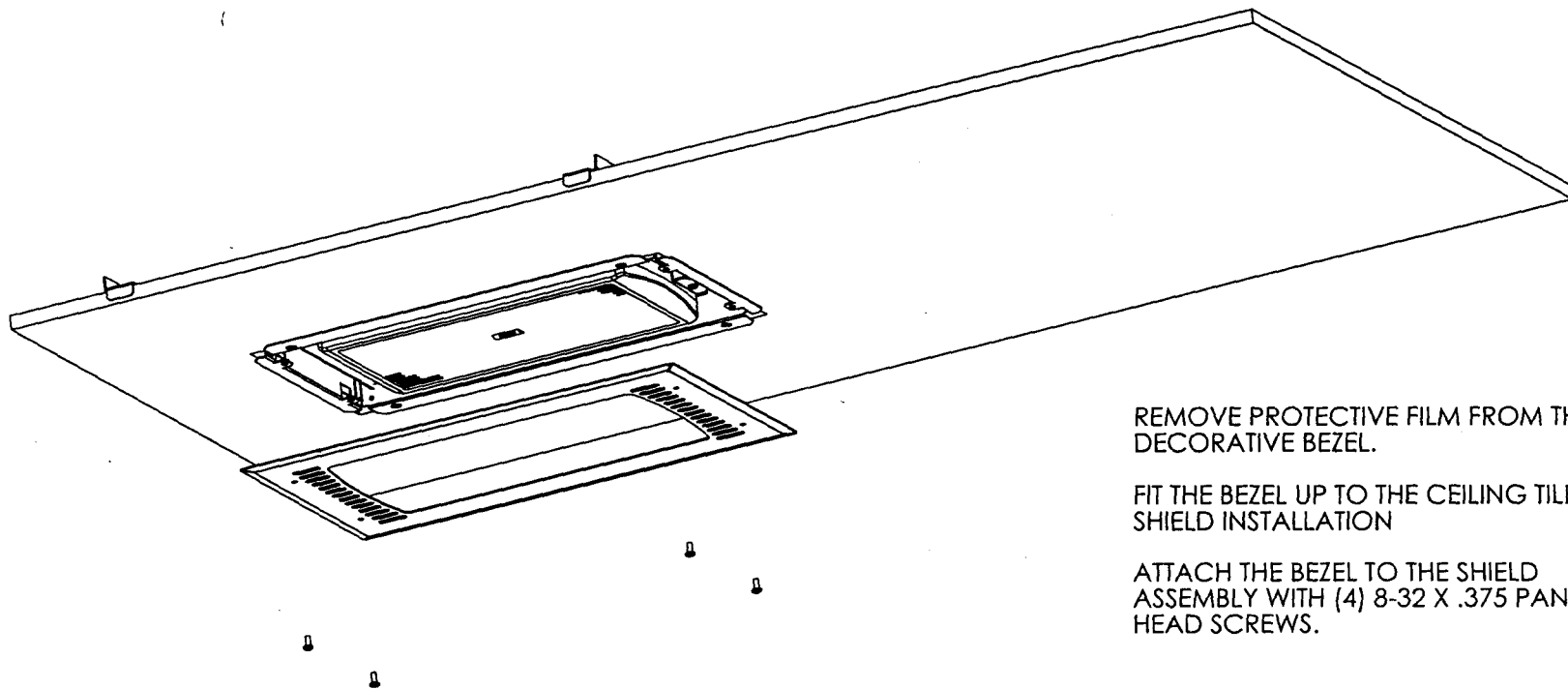
TIGHTEN THE 8-32 SCREW TO RETAIN THE BRACKET.

THE INSTALLATION MAY BE TESTED FOR PROPER OPERATION AT THIS TIME.



RSF 45 Av. Marcel Dassault
31500 TOULOUSE France
Tel : 05 61 20 79 09
Fax : 05 61 80 00 94
www.rsf-europe.com

TITLE: INSTALLATION INSTRUCTIONS, CEILING TILE, SINGLE EMITTER		
SIZE	DWG. NO.	REV
B	103034-01	A
SCALE: 1:16	WEIGHT:	SHEET: 8 OF 9



REMOVE PROTECTIVE FILM FROM THE DECORATIVE BEZEL.

FIT THE BEZEL UP TO THE CEILING TILE SHIELD INSTALLATION

ATTACH THE BEZEL TO THE SHIELD ASSEMBLY WITH (4) 8-32 X .375 PAN HEAD SCREWS.



RSF 45 Av, Marcel Dassault
31500 TOULOUSE France
Tel : 05 61 20 79 09
Fax : 05 61 80 00 94
www.rsf-europe.com

TITLE:
INSTALLATION INSTRUCTIONS,
CEILING TILE, SINGLE EMITTER

SIZE	DWG. NO.	REV
B	103034-01	A

SCALE: 1:12 WEIGHT: SHEET: 9 OF 9